

Figure 7a Howlett Point Battery, upper works. The steps at the bottom lead down to the underground rooms. Arrows on steps all point down hill.

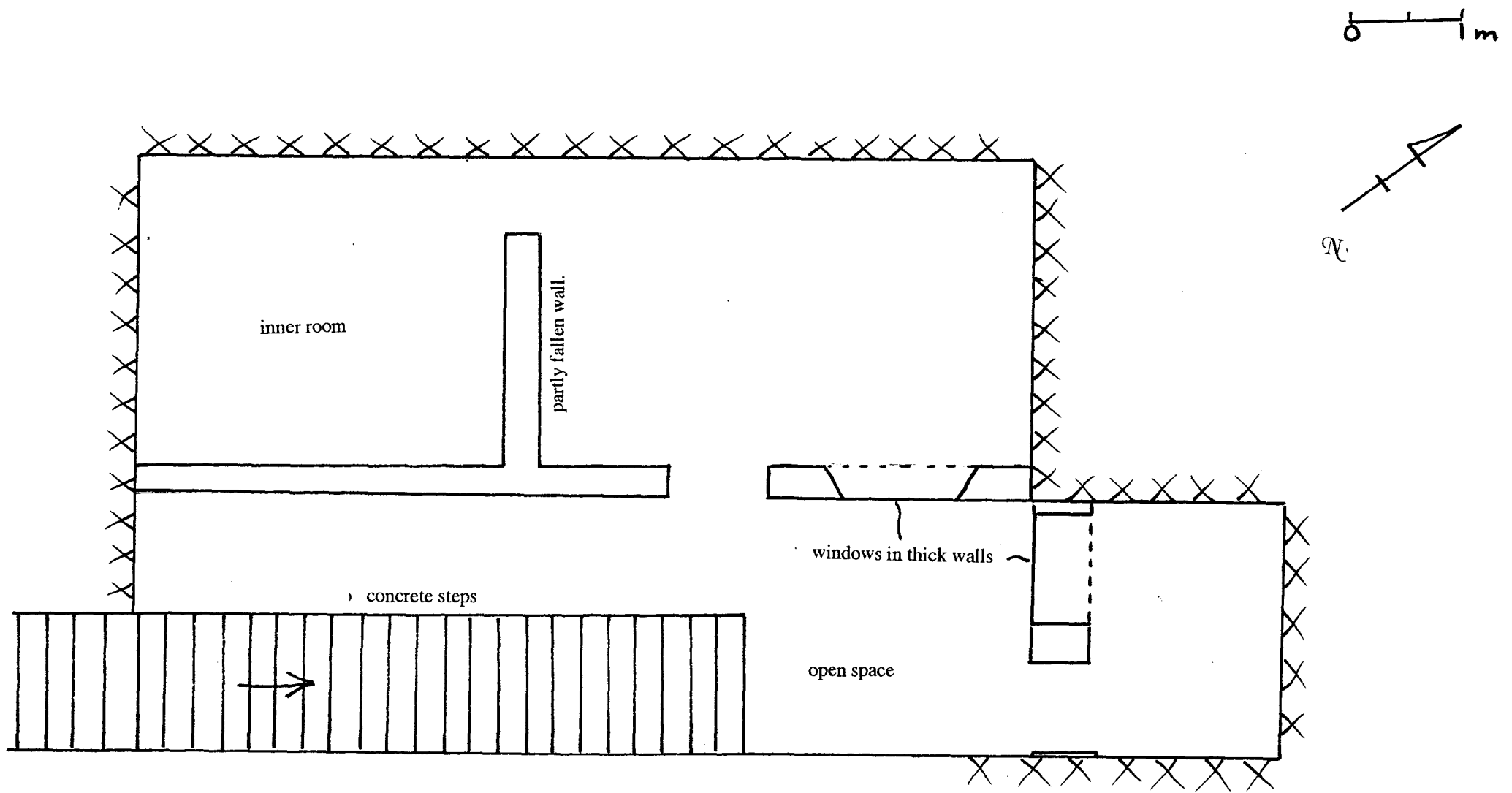


Figure 7b Howlett Point Battery, underground rooms.

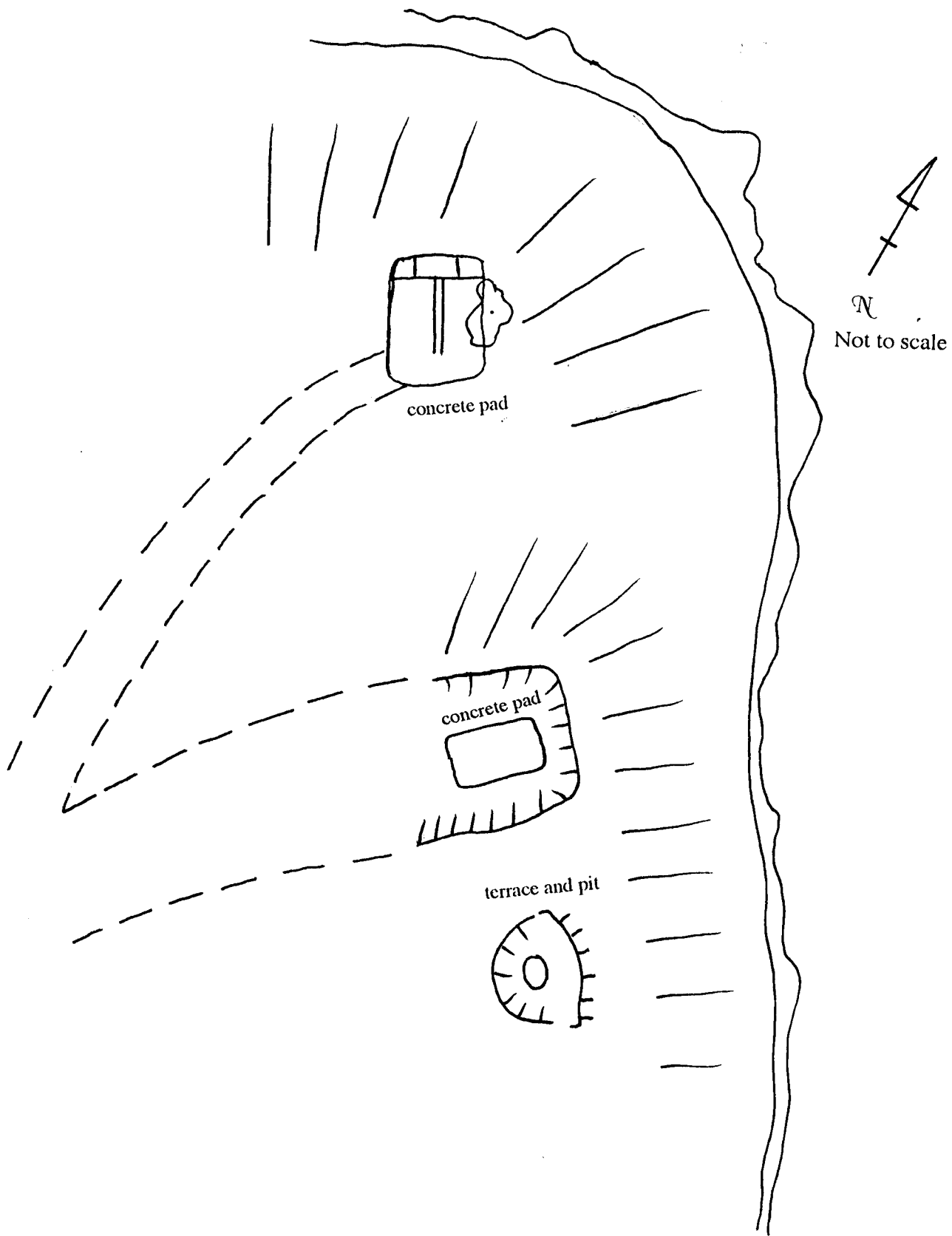


Figure 8 Search light platforms to the north of Howlett Point.

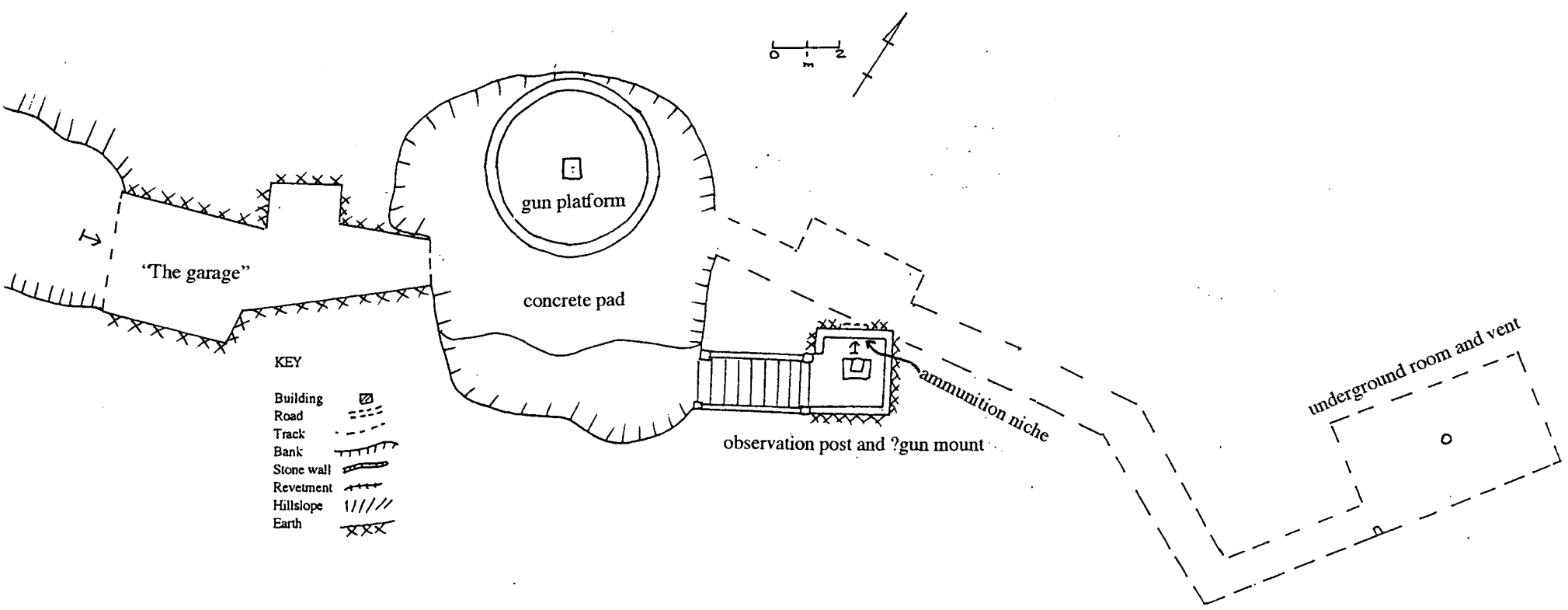


Figure 9 The Garage Battery and underground ammunition store.

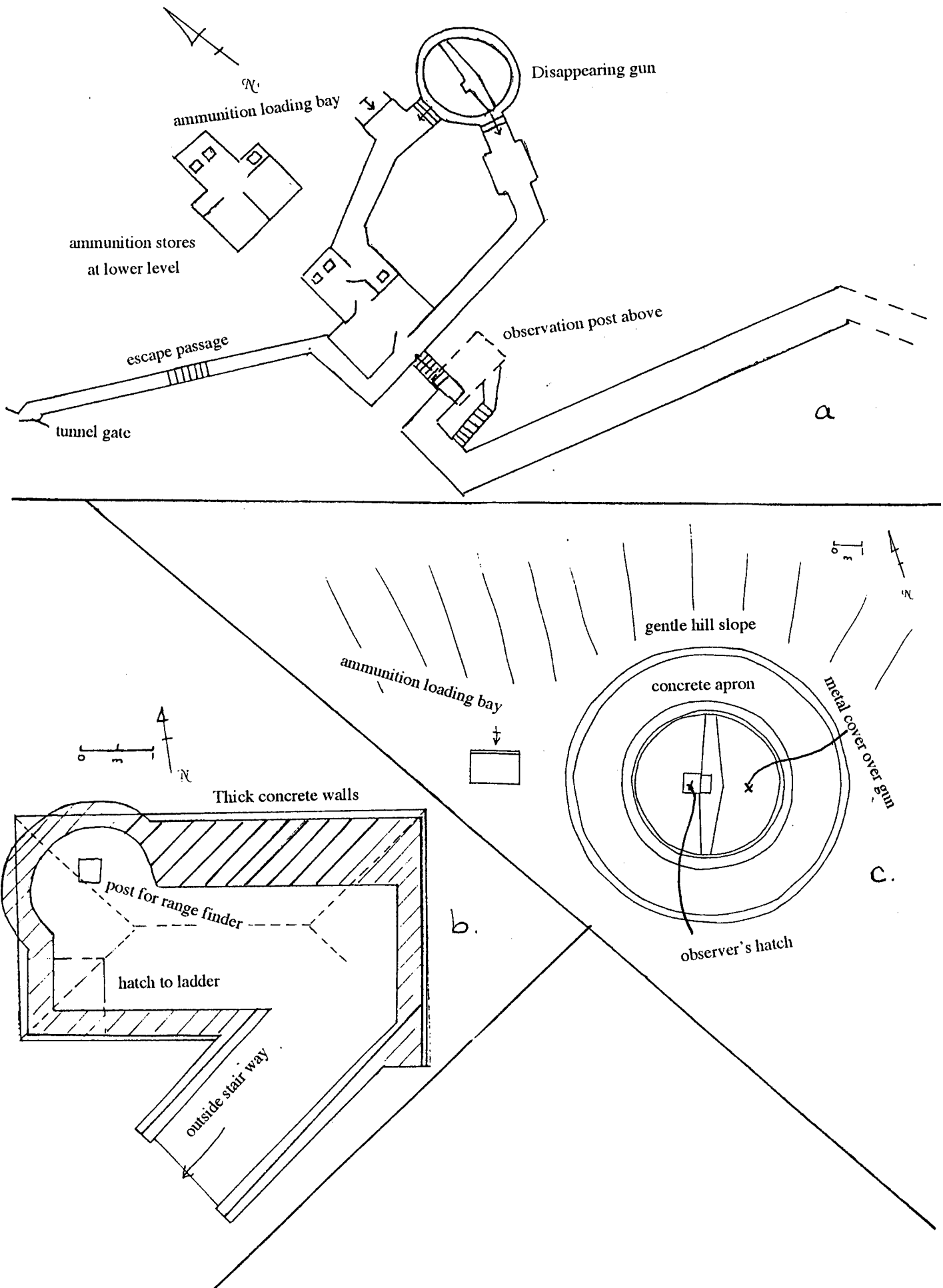


Figure 10a Simple plan of the Armstrong Disappearing Gun.

b Plan view of the Observation Post c An exterior view of the shield over the gun and its ammunition loading bay.

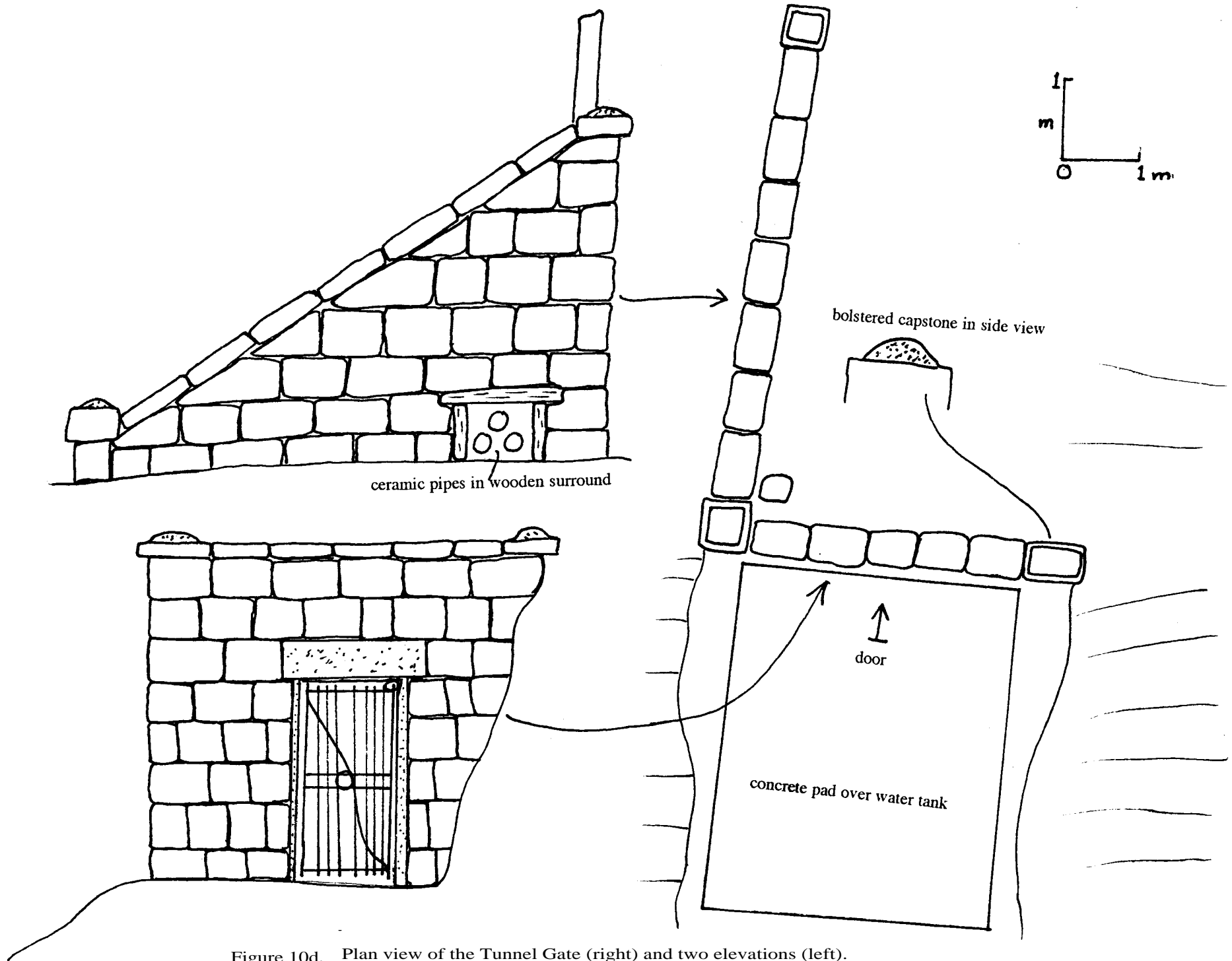
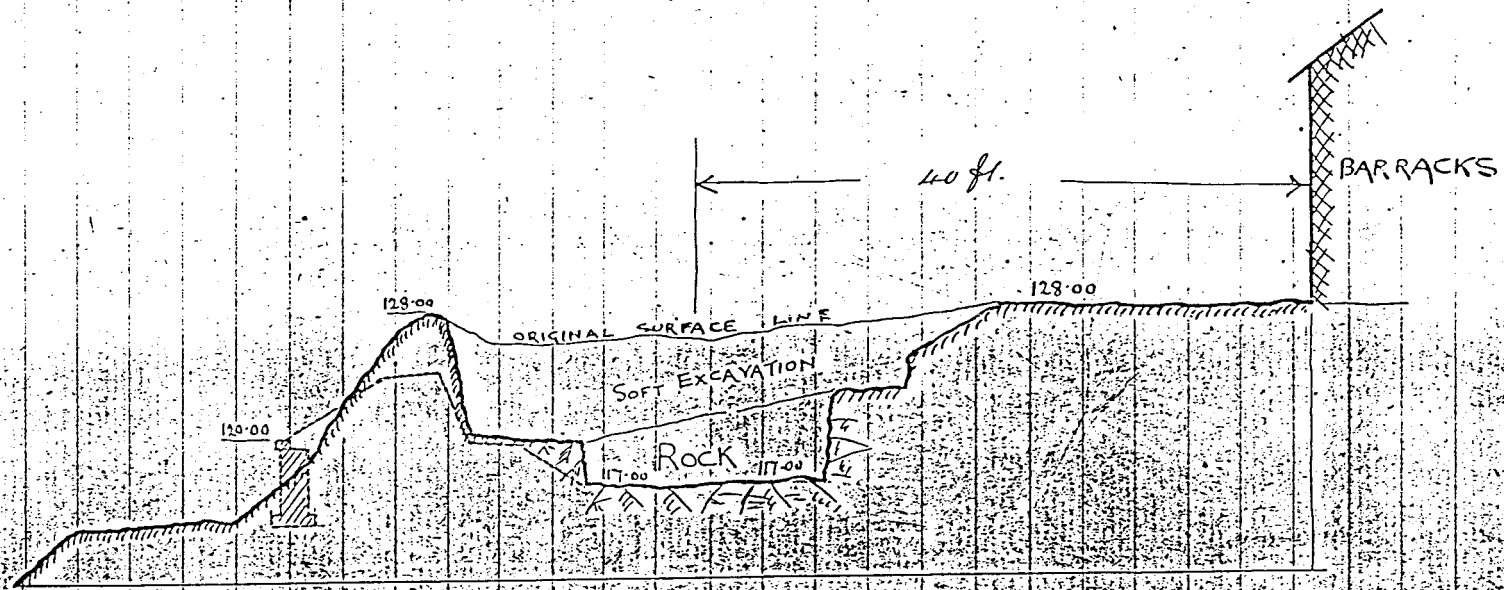


Figure 10d. Plan view of the Tunnel Gate (right) and two elevations (left).



*Hatched lines represent present surface  
 dotted ————— profiles to which we are working*

*Scale 1" = 10 ft. natural*

*J. W.  
 20/9/89*

Figure 11 Cross section through the sunken road and parapet in front of the barracks, drawn in 1889. The barracks stood on the site of the present visitors' centre.